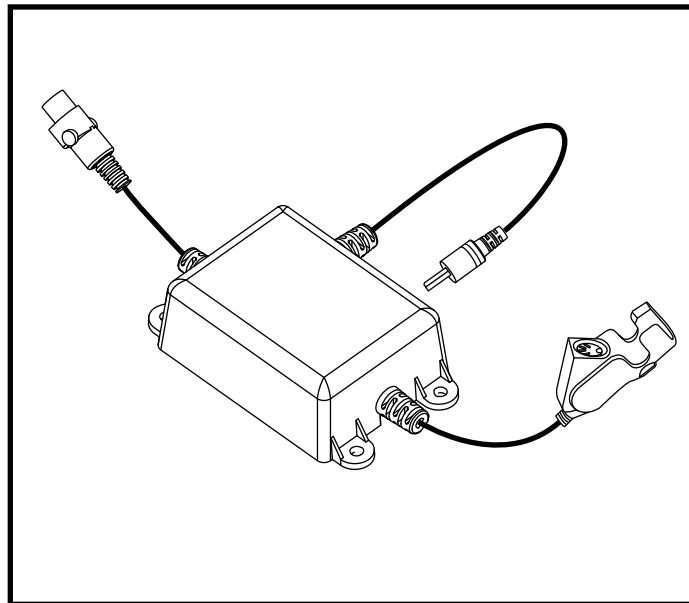




*****THE MOTOR CONTROL BOX MUST BE REMOVED FROM THE LIFT CHAIR WITH THE REPLACEMENT OF THE HAND CONTROL.*****



LIFT CHAIR TWO-BUTTON HAND CONTROL REPLACEMENT INSTRUCTIONS

KITASMB1858 - Kit, Assembly, Limoss Hand Control w/2' Cord & Extension Cable

If you require any assistance with these instructions, please call **Pride Technical Service** at **1-877-800-1248**.
Canada providers, phone **1-888-570-1113**.

Tools needed:

- 5/16-in. wrench
- 7/16-in. wrench
- Wire cutters
- Phillips screwdriver

Installation Instructions:

1. Using the lift chair hand control, raise the lift chair to the fully raised position.

NOTE: *If the hand control is inoperable, temporarily connect a functioning hand control and raise the chair.*

2. Disconnect the power cord from the electrical outlet. **See figure 2.**
3. Roll up and secure the back flap of the lift chair to ensure it does not hinder the installation. **See figure 2.**
4. Gently tip the lift chair onto its front, exposing the lift mechanism.

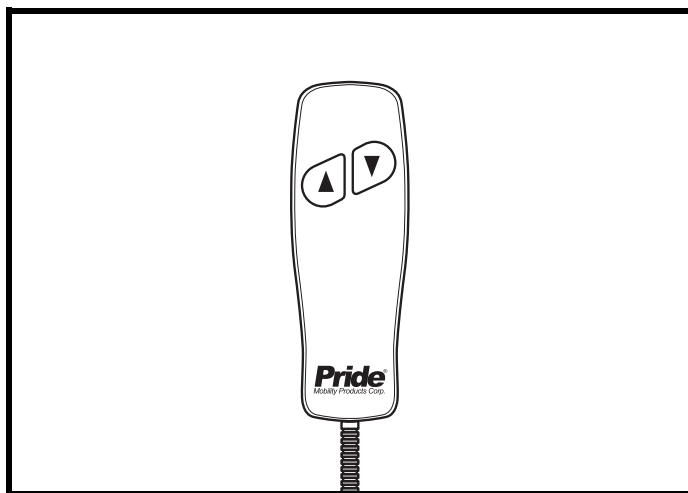


Figure 1. Two-Button Hand Control

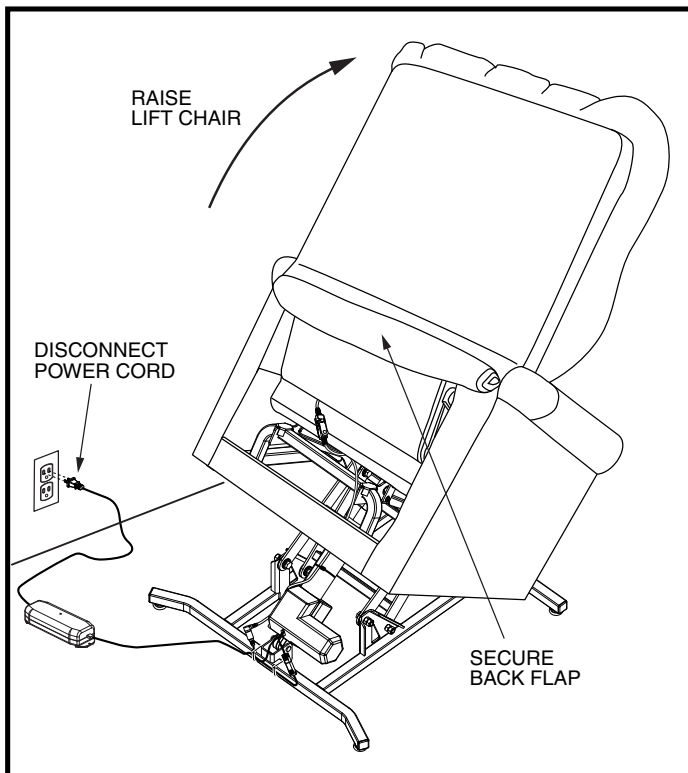


Figure 2. Preparing the Lift Chair

5. Cut the wire ties that secure the hand control extension cable to the lift chair actuator and main frame.
6. Disconnect the hand control cable from the quick disconnect on the hand control extension cable. **See figure 3.**
7. Remove and discard the hand control by pulling it straight through the front of the lift chair. **See figure 4.**
8. Remove and **retain** the cable mount and the accompanying screw. **See figure 5.**
9. Disconnect and discard the hand control extension cable from the actuator. **See figure 6.**

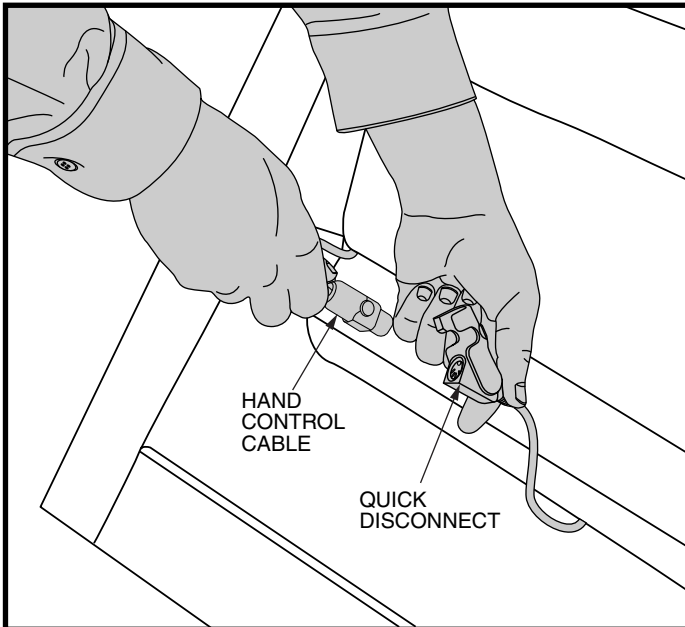


Figure 3. Disconnecting/Connecting the Hand Control

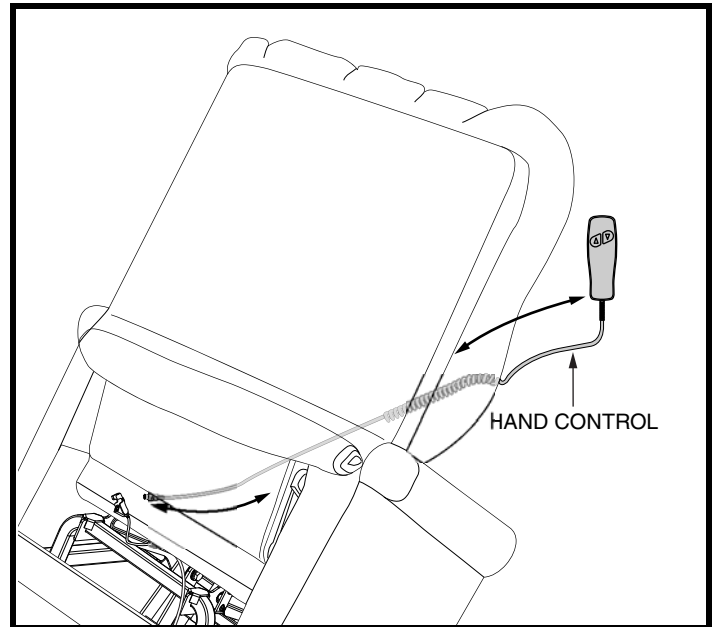


Figure 4. Removing/Threading the Hand Control

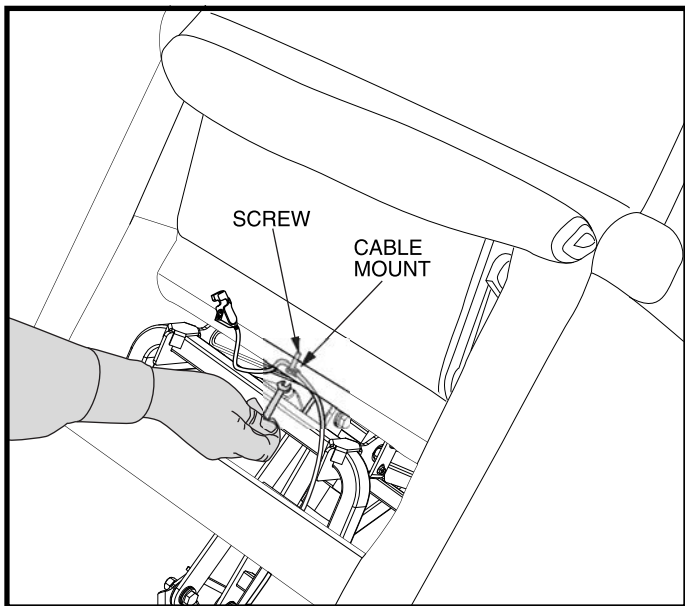


Figure 5. Removing/Installing the Cable Mount and Screw

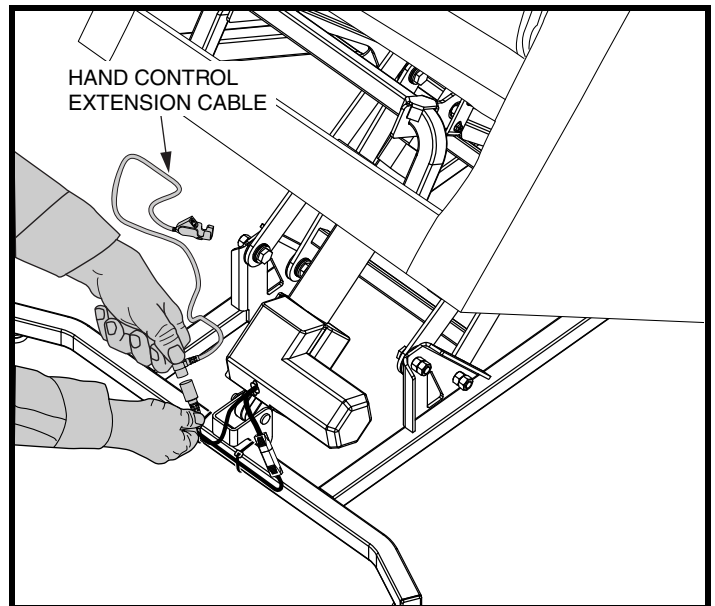


Figure 6. Disconnecting the Hand Control Extension Cable

10. Connect the hand control extension cable to the actuator cable. **See figure 7.**
11. Route the hand control extension cable through the cable securement cleat located on the left side of the actuator. **See figure 7.**
12. Route the hand control extension cable along the actuator and over the cross bar of the lift frame. Attach the hand control extension cable to the lift chair using the retained cable mount and screw. **See figures 5 and 8.**
13. From the front of the lift chair, thread the replacement hand control through the center of the cushion area, so that the hand control cable is visible from the back of the chair. **See figure 4.**
14. Attach the hand control cable to the quick disconnect on the hand control extension cable. **See figure 3.**
15. Remove any excess slack from the hand control cable by gently pulling forward on the hand control from the front of the lift chair.
16. Secure the hand control extension cable to the actuator and main frame with the supplied wire ties, then trim the excess from the wire ties. **See figure 8.**
17. Lower the back flap of the lift chair and return the lift chair to its full upright position.
18. Connect the lift chair's power cord to an electrical outlet.

The replacement lift chair two-button hand control is now ready for use.

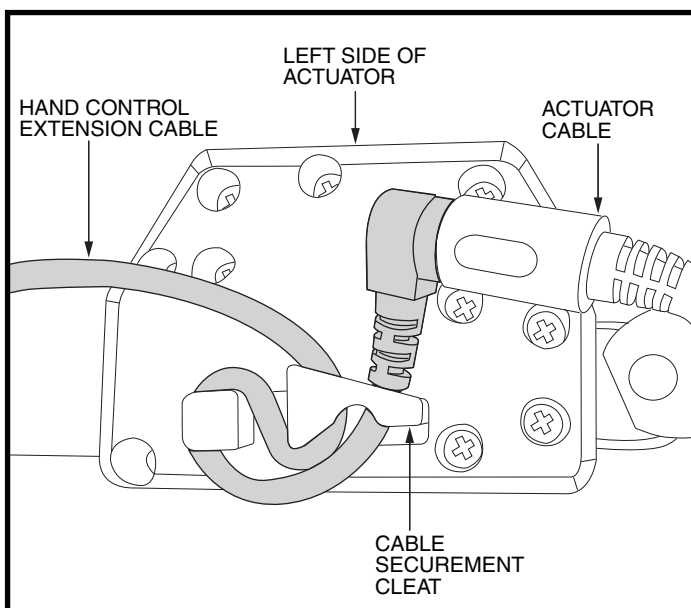


Figure 7. Routing and Connecting the Hand Control Cable

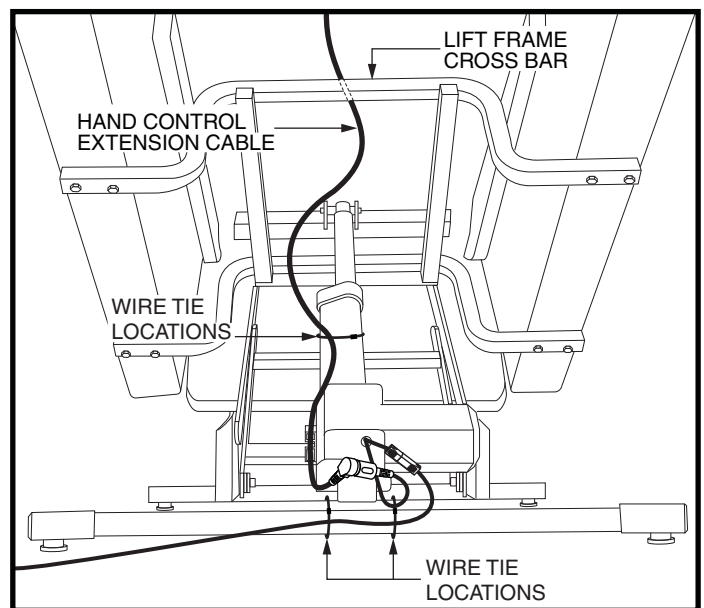


Figure 8. Securing the Wire Ties